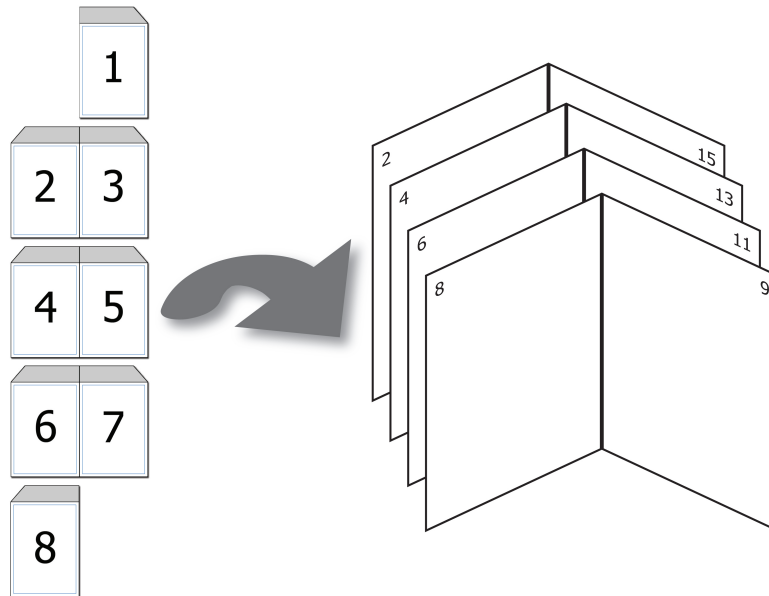


Johannes for RagTime



Leaflet Printing of RagTime Documents



Johannes is an add-on for RagTime which simplifies booklet creation by automatically combining two pages on one sheet. It also rearranges the pages of a RagTime document during printing in a way that all recto and verso pages fit together. This optimizes the output, saves time, and is more economical.

Use cases

The RagTime Johannes extension is ideal to create:

- Booklets
- Corporate brochures
- Flyers
- Church bulletins
- Theater programs

Easy output

The “Print as Booklet” option in the extended print dialog allows easy printing of booklets within RagTime. Pages are automatically combined on the sheet, with optional registration marks. Works with any printer, alternatively outputs PDF files via the printer driver. Johannes supports automatic or manual duplex (two-sided) printing.

Licensing

Johannes is licensed on a per-RagTime user basis. Licenses (serial number with code) can be ordered for a specific number of users.

Features & Benefits

Ease of use

- No imposition knowledge required
- Easy to use via booklet print dialog

Johannes with RagTime

- Print as booklet
- Automatic rearrangement of RagTime document pages for printing
- Double A5 to A4 output
- Double A4 to A3 output
- Custom output order
- Supports automatic or manual duplex (two-sided) printing

System Requirements

- RagTime (Mac or Windows)
- Any printer
- PDF file via printer driver